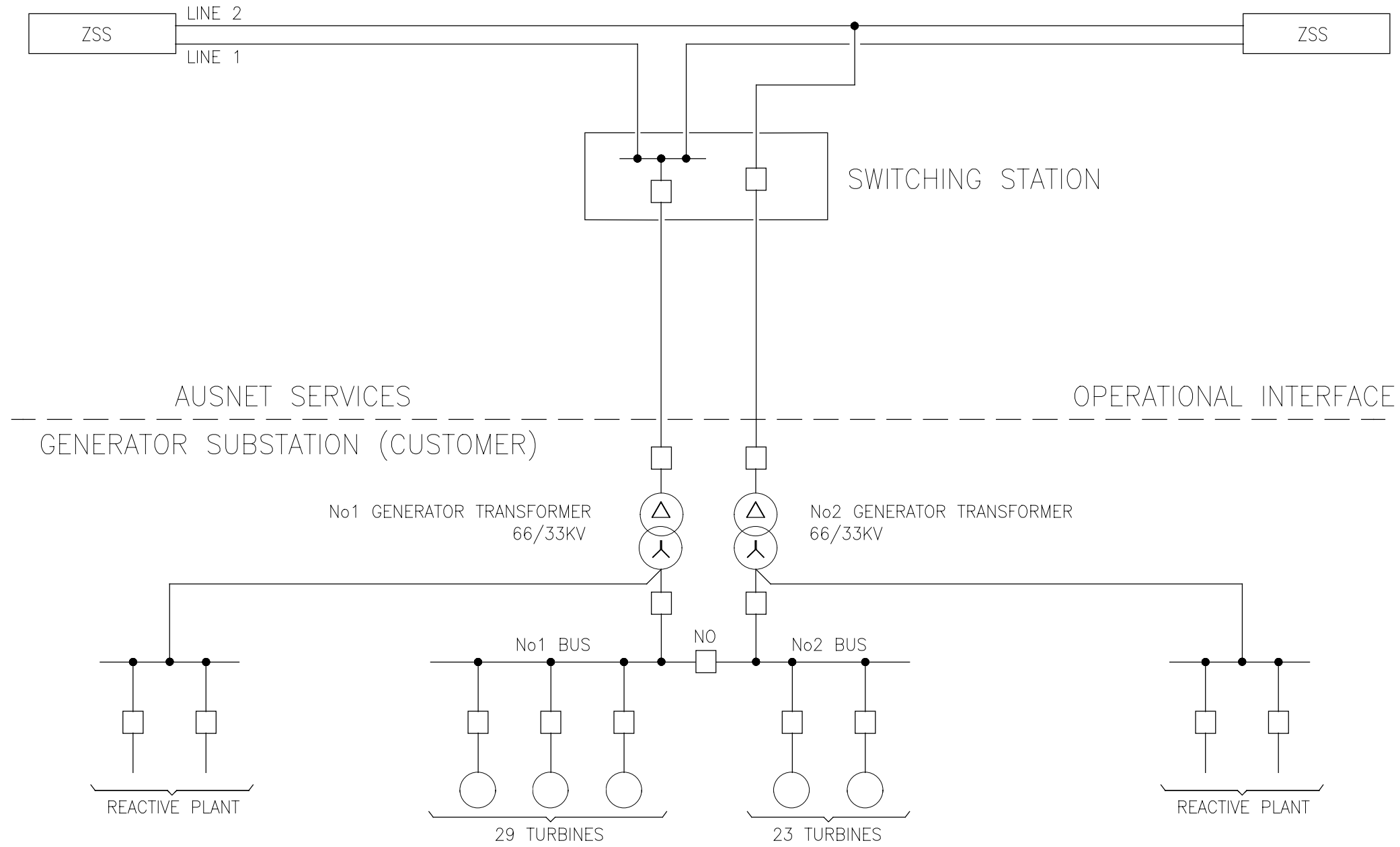


# BALD HILLS WIND FARM – INTERCONNECTION DIAGRAM

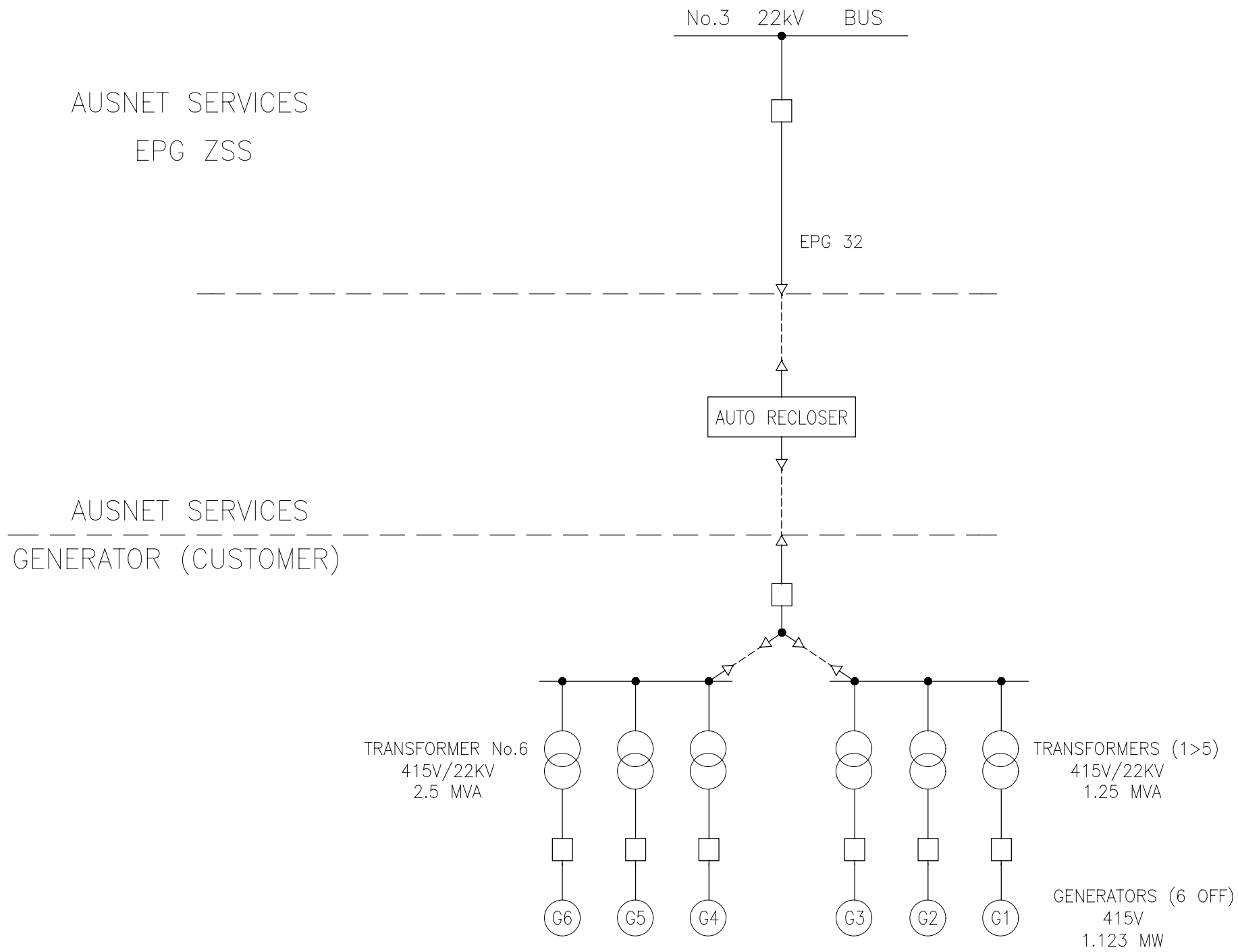


LOCATION TARWIN LOWER

REFERENCE DRAWINGS		REVISION		DATE	REV	DESCRIPTION	BY	CONTRACTOR	ISSUED Approved Date	ENDORSED DATE	SPEC No.	ORDER No.	CONTRACTORS No.	AusNet services No.	SKETCH BALD HILLS WIND FARM INTERCONNECTION DIAGRAM
DRAWING TITLE	DRAWING No.	15.6.16	A	FIRST ISSUE			BJH	AUSNET SERVICES							SKT/100/1012 A.3

283 X 400mm

# WOLLERT POWER STN – INTERCONNECTION DIAGRAM



AusNet Services STD A3

REFERENCE DRAWINGS	
DRAWING TITLE	DRAWING No.

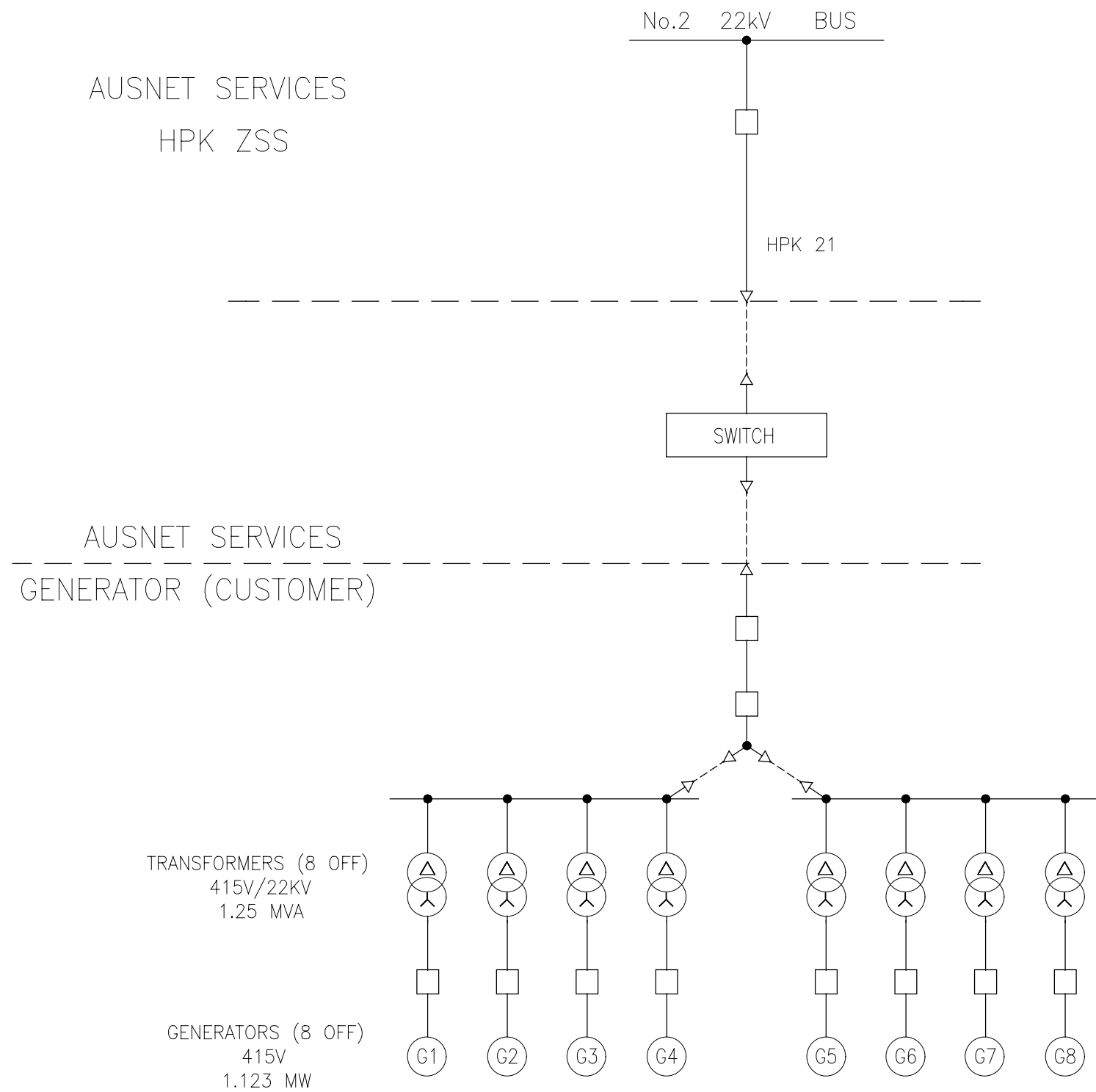
REVISION				
	16.9.14	C	ADDED THREE WAY CONNECTION TO GEN TRANSF BUSES	BJH
	16.9.14	B	ADDED GENERATOR TRANSFORMER No.6	BJH
	9.9.14	A	FIRST ISSUE	BJH
	DATE	REV	DESCRIPTION	BY

		SKETCH LMS - WOLLERT	
DRAWN BJH	ENDORSED REV C	SPEC No.	ORDER No.
AUSNET SERVICES	AUSNET SERVICES	AusNet services No	
ISSUED 16/09/2014	CONTRACTORS No	SKT/100/107	

283 X 400mm

A3

# HALLAM RD POWER STN – INTERCONNECTION DIAGRAM



AusNet Services STD A3

REFERENCE DRAWINGS	
DRAWING TITLE	DRAWING No.

REVISION			
DATE	REV	DESCRIPTION	BY
9.9.14	A	FIRST ISSUE	BJH

		SKETCH	
		LMS - HALLAM	
DRAWN DrawnBy BJH ENDORSED REV A	ENDORSED DATE 11/09/2014	SPEC No. ORDER No. CONTRACTORS No	AusNet services No SKT/100/106

283 X 400mm

A3

